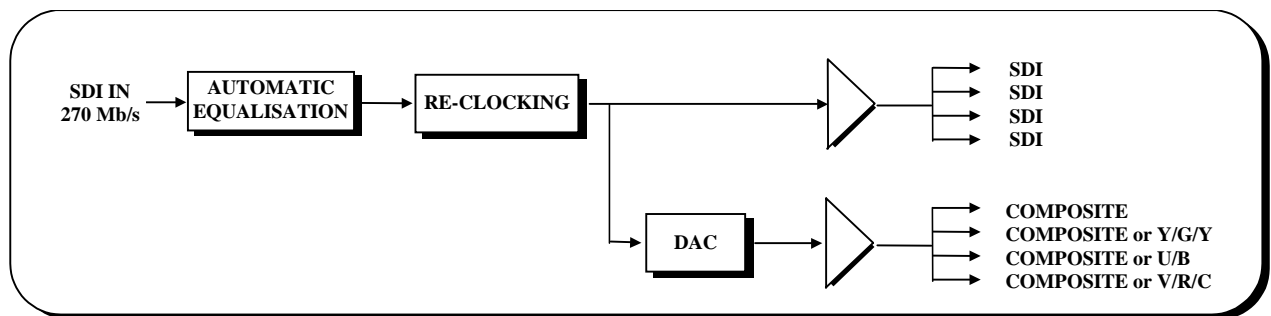


D&A 3410 SDI universal monitoring DA

Introduction

The 3410 SDI universal monitoring DA is one of the modules in the expanding D&A distribution system. Designed to the highest specification, and meeting all relevant international standards including CE approval, digital and analogue audio and video modules can be mixed within a frame to satisfy a wide variety of interfacing requirements.

Up to 14 modules can be housed in the 3301 3U frame with a single power supply or 12 in the 3302 3U frame with dual power supplies.



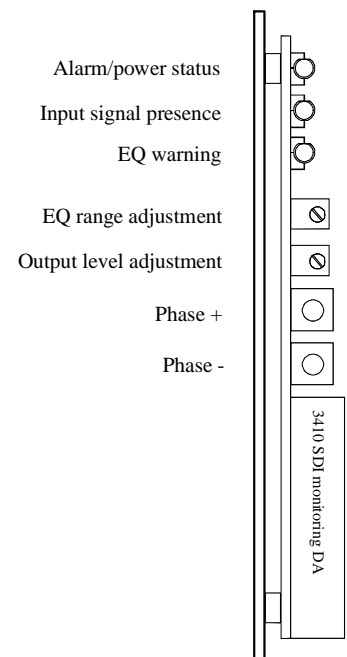
Description

The 3410 is a high quality 10 bit monitoring DA which accepts a SMPTE 259M 270Mb/s 525/625 component input and, with its associated 3490 rear connector unit, provides four equalised and re-clocked SDI outputs together with four analogue composite outputs (PAL or NTSC). Three of the analogue outputs can be re-configured by the user for YUV, GBR or YC.

Alarms can be triggered (frame LED and external alarm) for loss of power, absence of input signal and EQ warning. Card edge LED's show alarm/power status, presence of input signal and EQ range warning. Card edge adjustment is provided to set the range for the EQ warning. Buttons are provided to adjust the phase.

Features

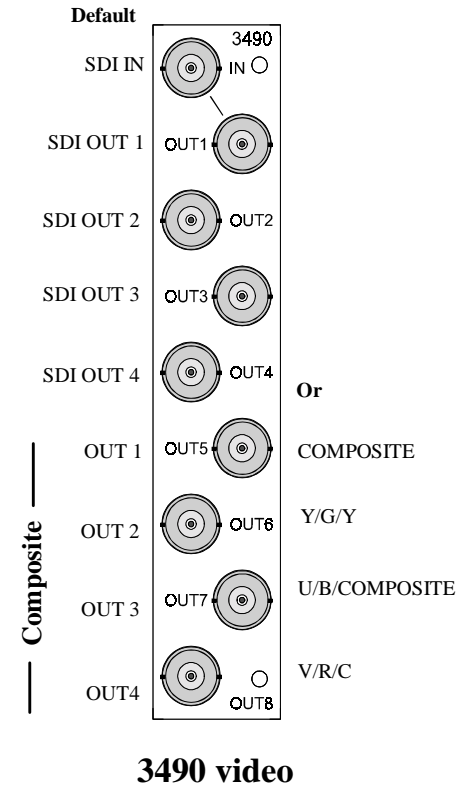
- High quality 10 bit DAC
- Four analogue outputs (PAL or NTSC) can be all composite or configured by the user as composite with YUV, GBR or YC.
- Four equalised and re-clocked SDI outputs
- User selectable colour bars
- User defined maximum equalisation warning
- Input signal absence warning
- SMPTE 259M compatible
- User configurable frame LED/external alarm error warning



D&A 3410 SDI universal monitoring DA

Specification

Input	
Standard	SMPTE 259M 270Mb/s 525 or 625
Impedance	75Ω
Signal level	800mV ±10%
Connector	BNC
Common mode rejection	30Vp-p at 50Hz
Return loss	>22 dB
Equalisation	up to 250m automatic
Output - general	
Impedance	75Ω
Connector	BNC
Output - SDI	
Number	4
Standard	SMPTE 259M 270Mb/s 525 or 625
Signal level	800mV ±10%
Return loss	>18dB to clock frequency
DC offset	0V ±0.5V
Rise & fall time	400-700pS (20-80% amplitude)
Overshoot	<10%
Output - Analogue	
Number	4
Standards	Composite (PAL or NTSC), YUV, GBR or YC
Return loss	36dB to 5MHz
Signal level	1Vp-p ±10%
DC offset	±100mV
Differential gain	<0.3%
Differential phase	<0.4°
Delay	<10nS
Phase adjustment	360°
Quantization	10 bit
Output level adjustment	±1dB
Other	
User selectable alarm options	Loss of power/loss of input signal/EQ warning
Power supply required	Frames with 3310 6.5V power supplies only
Power Consumption	+3.9W -0.3W
Temperature range	0°C to 45°C
<i>Above measurements relate to the 3410 DA with 3490 connector in the 3301 frame using the 3310 power supply.</i>	



Ordering information

Part no.	Description	Weight	Height	Width	Depth
3410	SDI universal monitoring DA	750g	100mm	25mm	220mm
3490	BNC rear	100g	100mm	25mm	70mm

We reserve the right to change technical specifications without prior notice. E&OE.

LOCAL
DISTRIBUTOR

DTL Broadcast Ltd
 Johnson's Estate, Silverdale Road,
 Hayes, Middx, UB3 3BA, UK.
 Phone: +44 (0) 20 8813 5200 Fax: +44 (0) 20 8813 5022
 Internet: www.dtl-broadcast.com Email: info@dtl-broadcast.com

